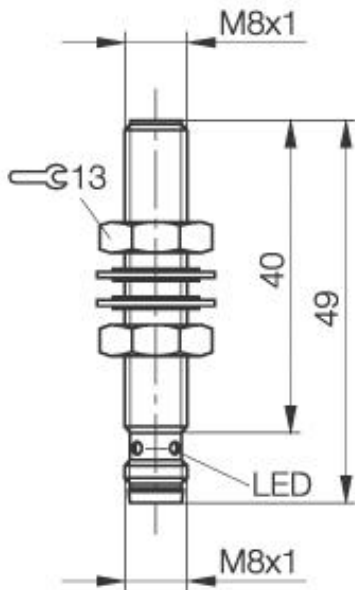


**Inductive Sensors**  
**BES M08EG-PSC15A-S49G-W**  
**M 8 x 49**  
**normally-open**  
**Sn=1,5mm**  
**shielded**  
**Factor 1**



PX1505

**Common Data**

Product name	Factor 1
Mounting in steel	shielded
Rated operating distance Sn	1,5mm
Assured operating distance Sa	0...1,2mm
Repeatability R	= 5%
Hysteresis	= 15%
Function indication	yes
Ambient temperature range	-25...+70°C
Polution Degree	3
Time delay before availability	≤ 15ms
Particular characteristics	Factor 1

**Mechanical Data**

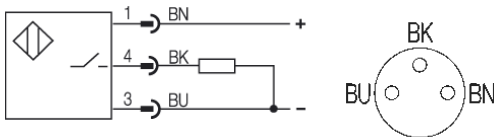
Measurements BxHxT or DxT	M 8 x 49mm
Housing material	1.4301 PTFE coated
Material of sensing face	PBTP + PTFE
Degree of protection	IP67IP
Connection	Connector S49 (M8 3-pin)
Schock: Halbsinus, 30 gn, 11ms	
Vibration: 55 Hz, 1mm Amplitude, 3 x 30 Minutes	

**Electrical Data**

Current type	DC
Wiring	3-Wire
switching function	normally-open
Output signal	PNP
Rated operational voltage	24 DCV
Rated operational current	150mA
Supply voltage	10...30 DCV
Ripple	≤ 10%
max. switching frequency	2000Hz
No-load supply current	≤ 15mA
Off-state current	=80µA
Voltage drop	=2,5/-V
Short circuit protection	yes
Protected against polarity reversal	yes

**Remarks**

magnetic field immune up to 100kAm, weld immune



Utilization categories  
 Insulation class

DC 13

Datasheet number:

Definitions see general catalog.  
 If not otherwise noted, ratings according to  
 IEC 60947-5-2 (DIN EN60947-5-2)

Balluff GmbH  
 Schurwaldstrasse 9  
 73765 Neuhausen a.d.F.  
 Phone (07158) 173-0 Fax (07158) 5010

Datenblatt by CD-ROM - 04/2007

